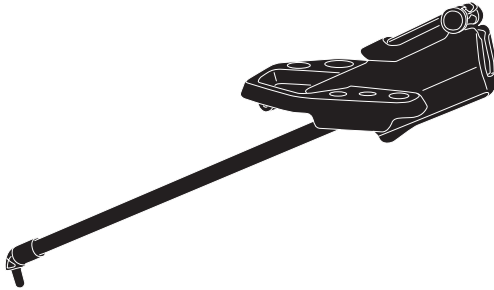
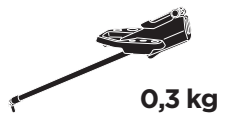
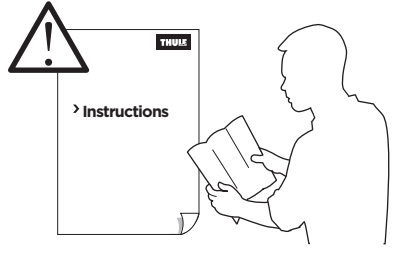
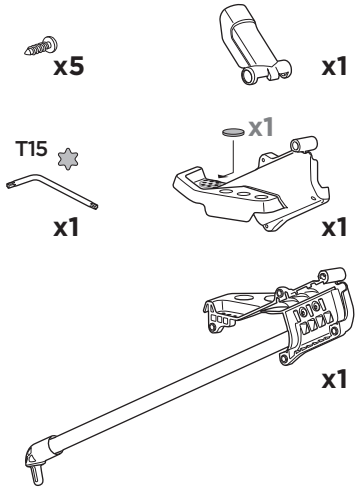


➤ Instructions

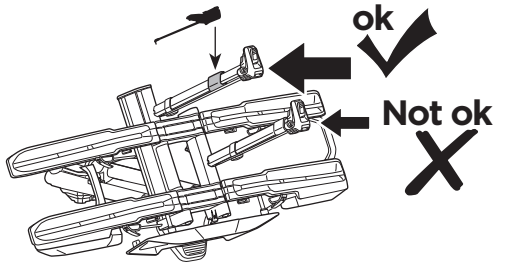
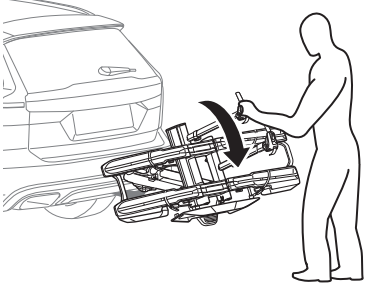
Thule Epos Bike Repair Holder 9783



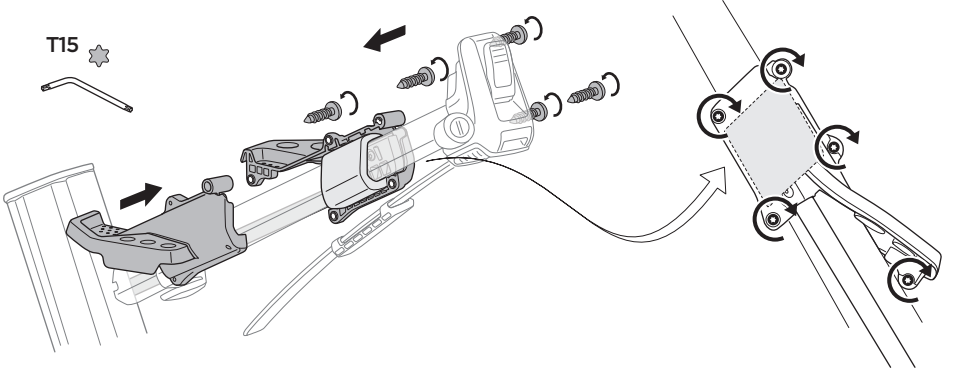
i



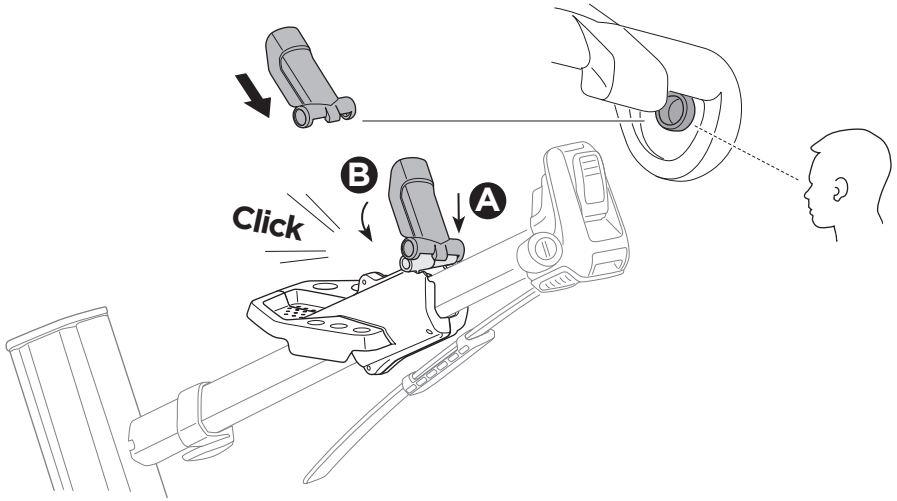
1



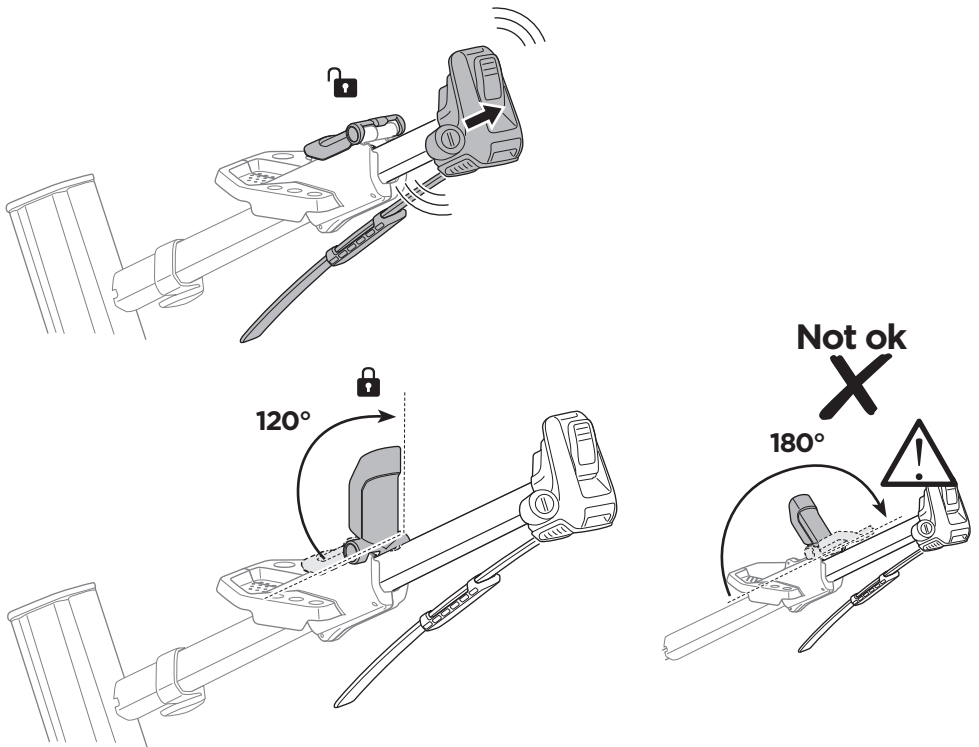
2

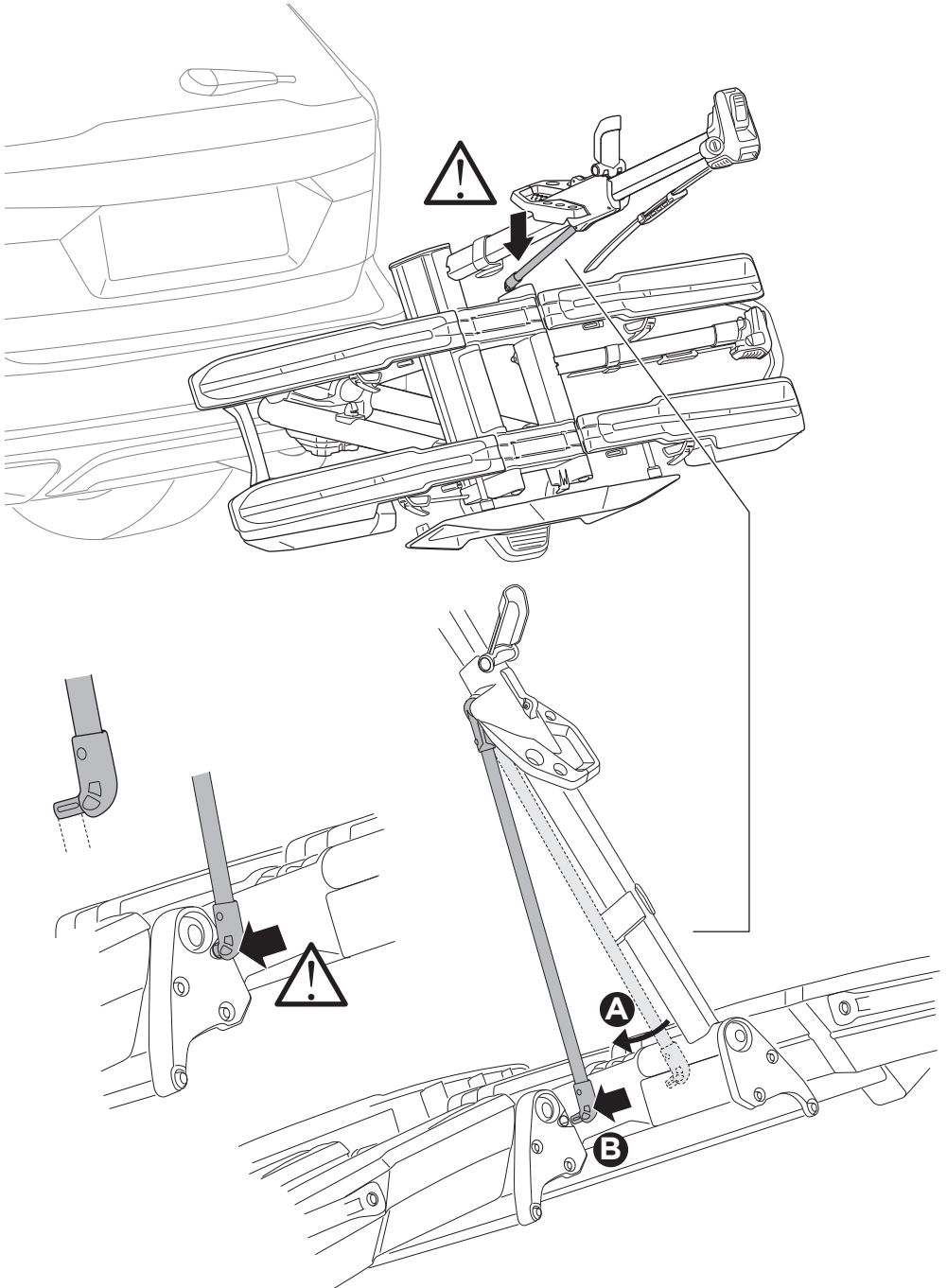


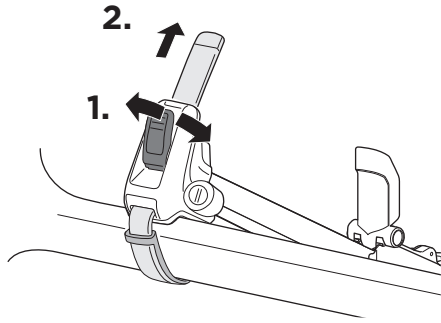
3



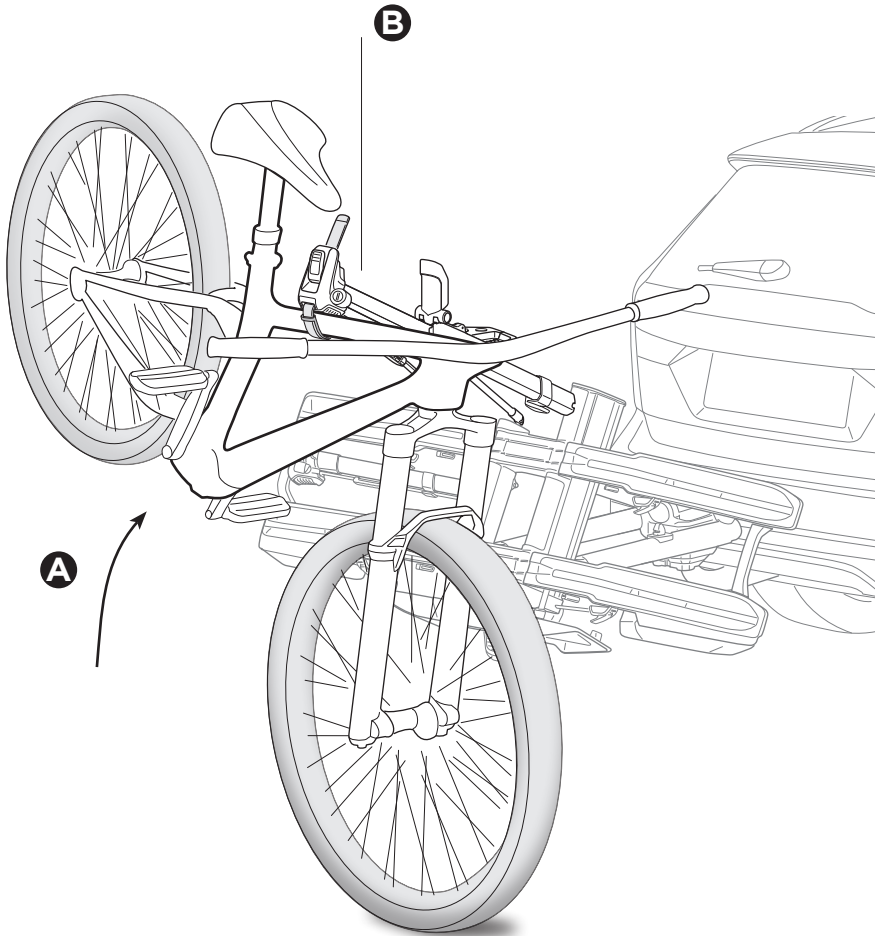
4

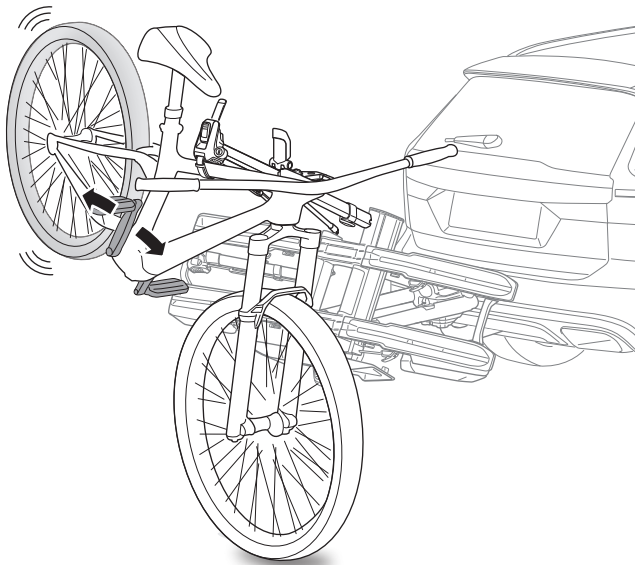
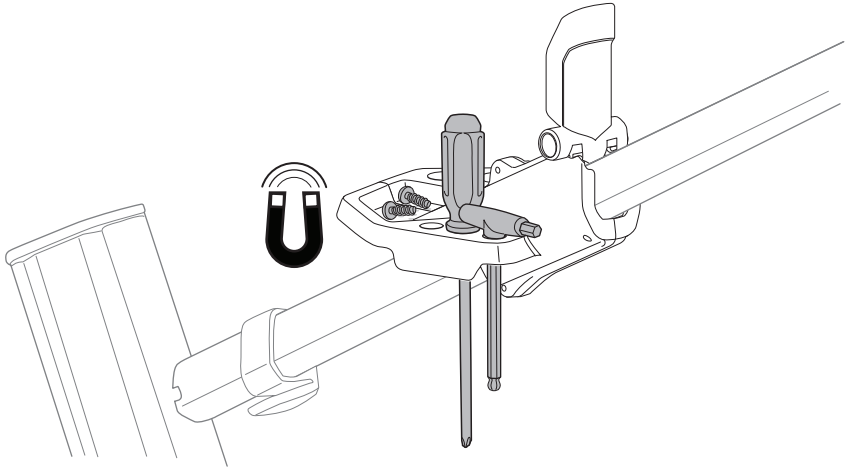




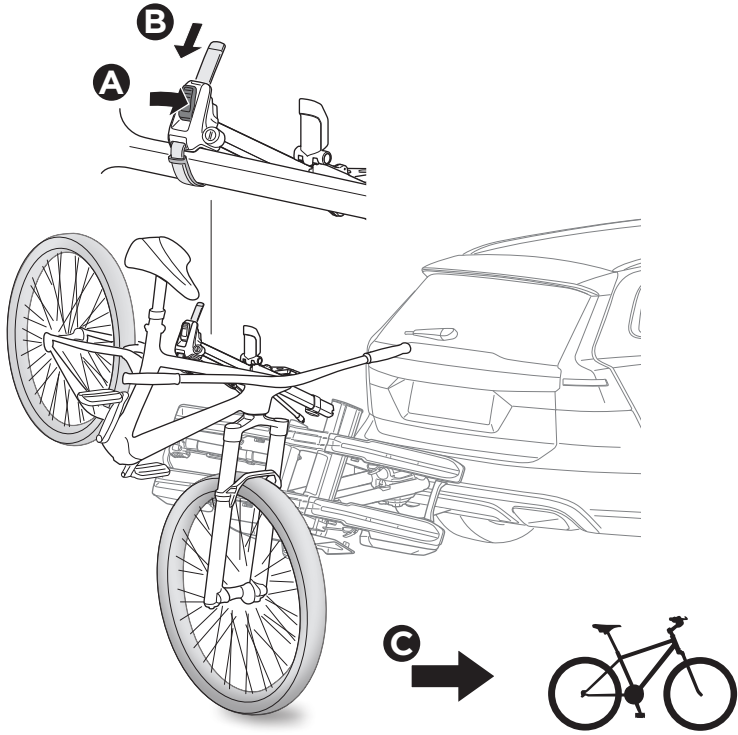


Max 30 kg





7



8

